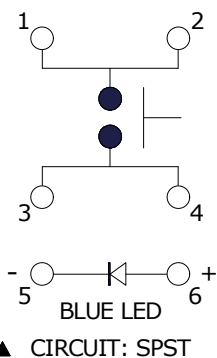
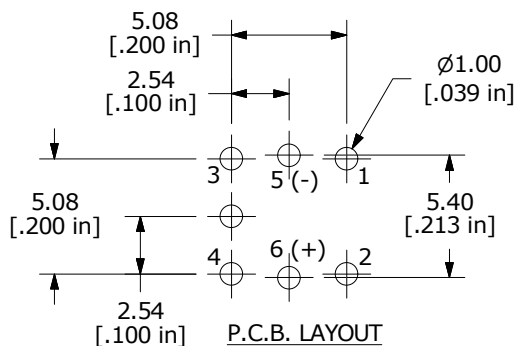
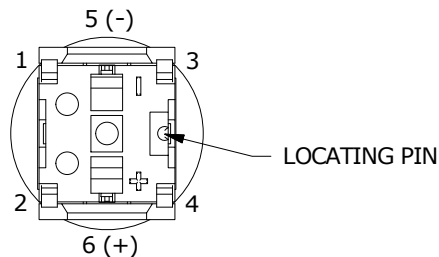
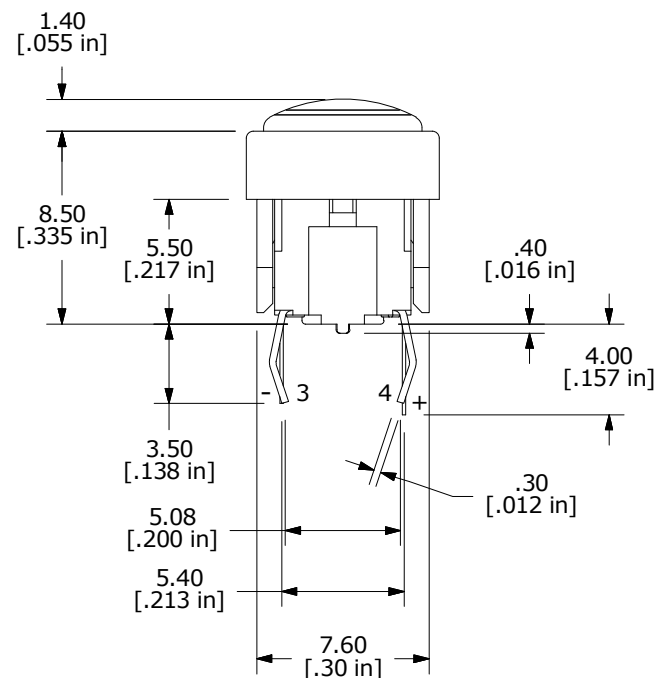
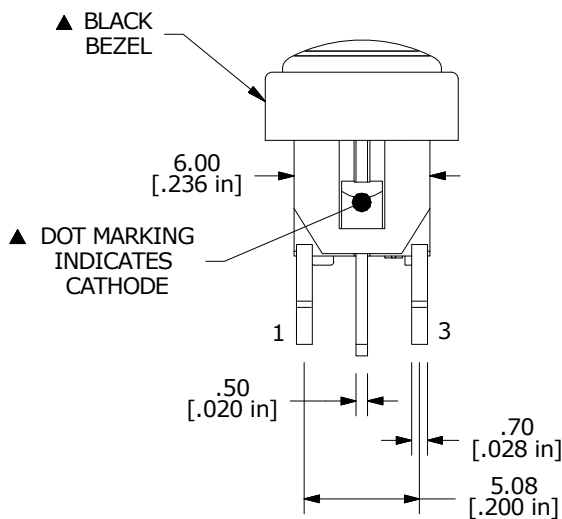
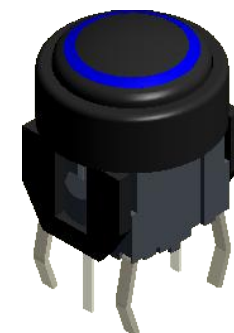
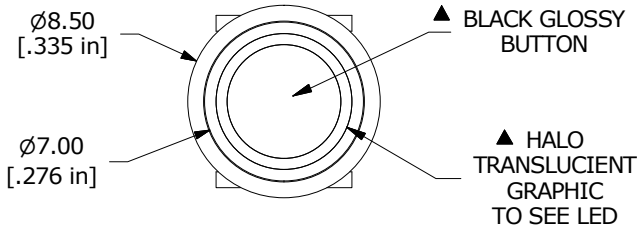


▲ LED SPECS	UNITS	BLUE
FORWARD CURRENT	mA	5
FORWARD VOLTAGE @ 5mA	V	2.8 typ.-4.0 max.
LUMINOUS INTENSITY @ 5mA	mcd	25 typ.




- NOTES:
1. ALL DIMENSIONS IN MM [INCH]
 2. GENERAL TOLERANCE: X.X = ±0.4
X.XX = ±0.25
 3. RATING: 12VDC @ 50mA
 4. CONTACT RESISTANCE: 100mΩ MAX.
 5. INSULATION RESISTANCE: 100MΩ MIN.
 - ▲ 6. OPERATING FORCE: 180± 50gf
 7. TRAVEL: 0.2± 0.1mm
 8. OPERATING TEMPERATURE: -40°C TO 85°C
 9. OPERATING LIFE: 500,000 CYCLES
 - ▲ 10. LED: BLUE
 11. ▲ DENOTES CRITICAL PARAMETERS
 12. 2011/65/EU (ROHS) COMPLIANT
 13. PARTS TO BE PACKAGE 100 PARTS PER TRAY.



REV	PCR NO	DESCRIPTION	DATE	BY
C	22934	add Glossy Button as 2nd description	7/20/17	MW
B	22268	UPDATE DRAWING	4/14/16	MW
A	18584	Release For Production	7/22/09	BLR

THE INFORMATION CONTAINED IN THIS DOCUMENT IS PROPRIETARY TO E-SWITCH AND IS NOT TO BE COPIED OR TRANSFERRED



TITLE TL1220R1BBBB-HALO (Glossy Button)

SCALE 3:1	DATE 7/22/2009	DR BLR	DWG B260009	REV C
-----------	----------------	--------	-------------	-------